

IASO®

Better Outside

TECHNICAL DATA SHEET

ENGLISH

PARASOLS

SMALL COLLECTION

PISA



INDEX	—	02	DESCRIPTION
		02	MATERIALS
		02	MAIN COMPONENTS
		02	DIMENSIONS
		03	MAINTENANCE

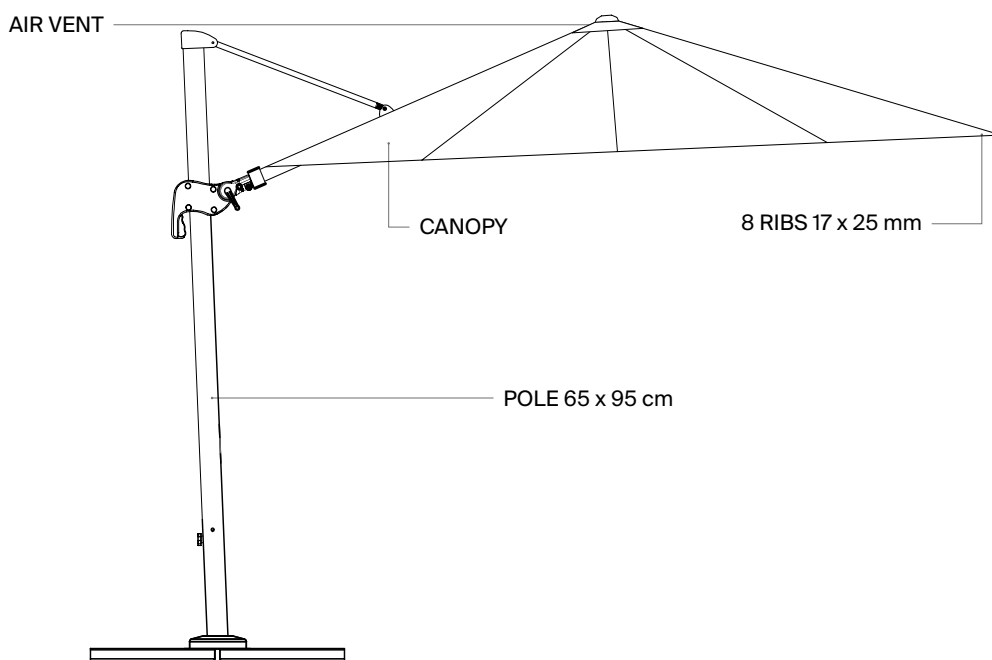
DESCRIPTION

Pisa is a practical and durable cantilever parasol, designed to provide functional shade and style for terraces and gardens.

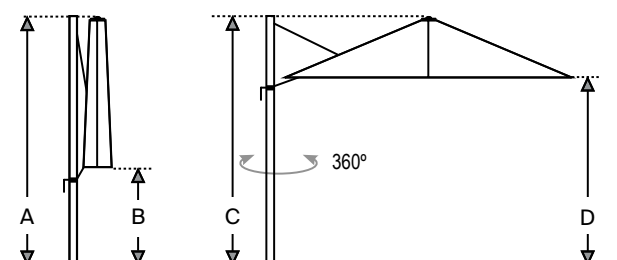
MATERIALS

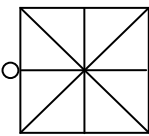
- Structure: Aluminium
- Fabric: Polyester (250 g/m²), ALTan2 100% PES (220 g/m²) or Acrylic SR (330 g/m²)

MAIN COMPONENTS



DIMENSIONS



Model	A	B	C	D
 3 x 3 m	270 cm	50 cm	270 cm	210 cm

MAINTENANCE

The PISA parasol is a unique product in which the construction solutions and materials used are of the highest quality, ensuring maximum durability. As a result, regular maintenance is minimal, allowing you to keep it in perfect working condition and with an attractive appearance with only a few interventions. Below are some simple rules that must be followed.

CANOPY

Canopy maintenance is limited to cleaning. To keep the exposed area looking like new, clean it 2 or 3 times a year to prevent dust or pollution from settling on the fabric due to sun exposure.

- POLYESTER: Dry clean only
- ALTan2: Dry clean only
- Acrylic: Dry clean only

STRUCTURE

Aluminium should be cleaned with water and neutral soap.

ATTENTION

The main function of the parasol is to reduce the incidence of sunlight; it does not provide 100% protection against rain.



We believe in the *elegance* of engineering.